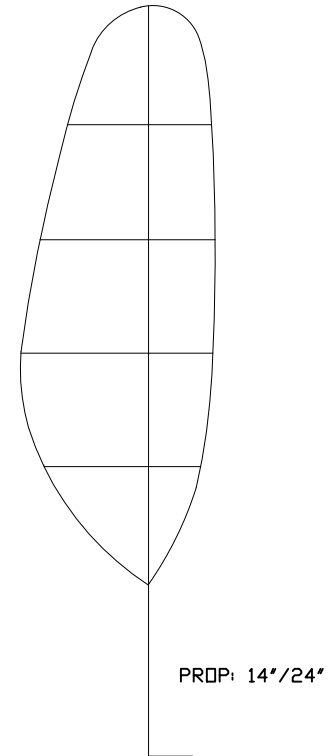
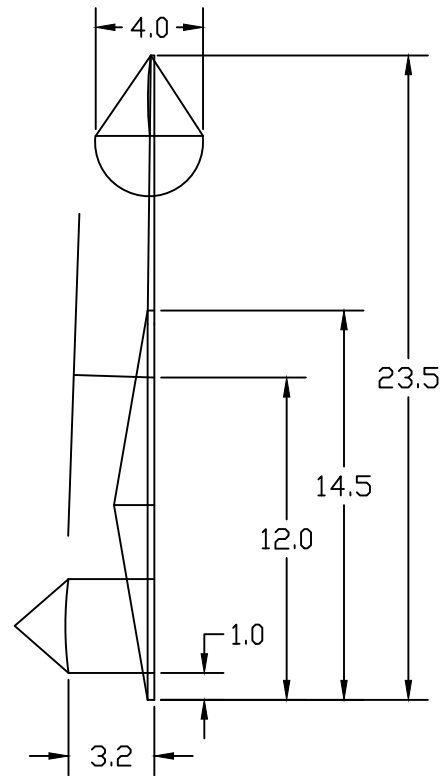


MICROFILM ON WING AND STAB, Y2K ON REST
KEVLAR BRACING ON WING AND STAB



COMBINED WING AND STAB AREA = 130.8 SQ IN
50% OF COMBINED WING AND STAB AREA = 65.4 SQ IN
ROTOR MUST BE GREATER THAN 50% OF COMBINED WING AND STAB AREA
ROTOR AREA IS 72.7 SQ INCHES > 65.4 SQ INCHES

ROTA

WING: 178mg
STAB: 204mg
PROP: 123mg
STICK: 330mg
ROTOR: 184mg
TOTAL: 1019mg

AUTOGYRD CAT I OPEN 13:07 5/21/2017 BROOKSIDE GYM
AUTOGYRD CAT II OPEN 15:37 4/28/2018 KENT STATE
AUTOGYRD CAT III OPEN 21:41 3/25/2017 WEST BADEN
AUTOGYRD CAT IV OPEN 21:34 6/19/2023 KIBBIE DOME

MOTOR FOR CAT III AND CAT IV: 1.25gr X 16"
MOTOR FOR CAT II 1.13gr X 13"
MOTOR FOR CAT I: 1.15gr X 14"

DESIGNED, BUILT, FLOWN AND DRAWN BY DON SLUSARCZYK